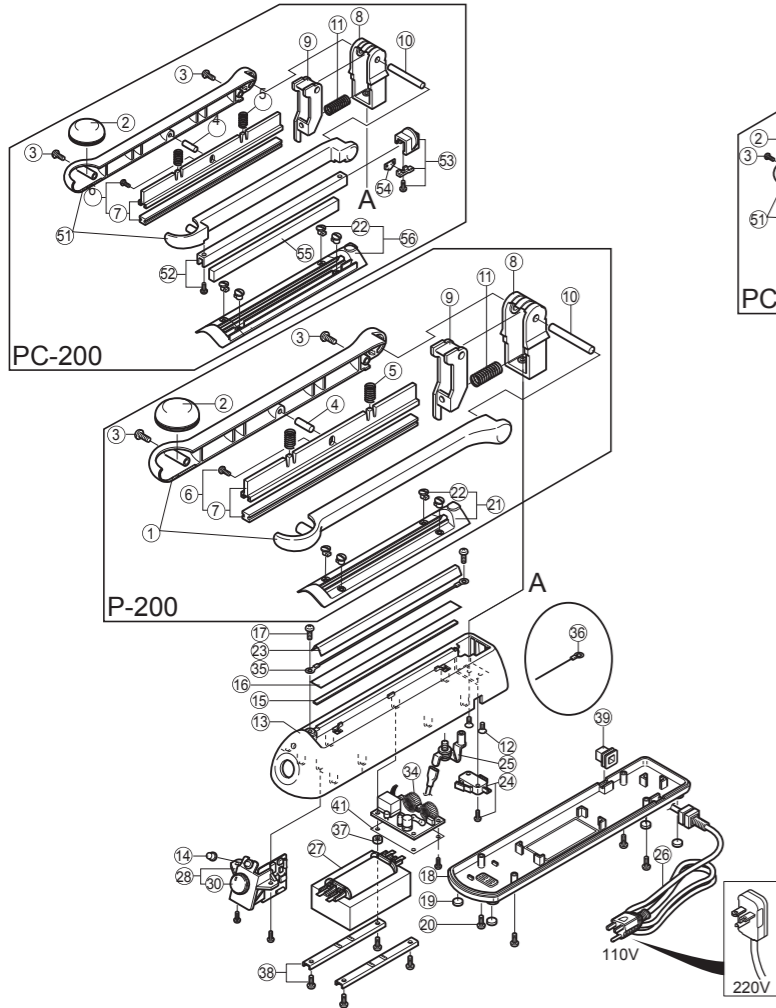
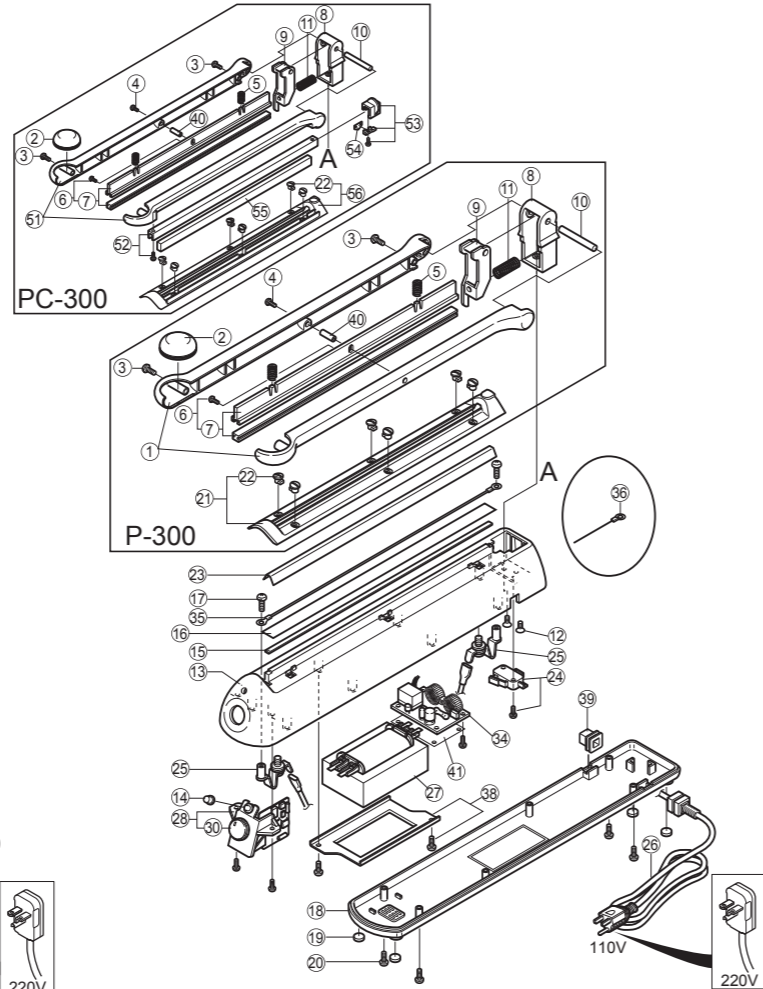


P-200 / PC-200
EXPLODED PARTS VIEW



P-300 / PC-300
EXPLODED PARTS VIEW

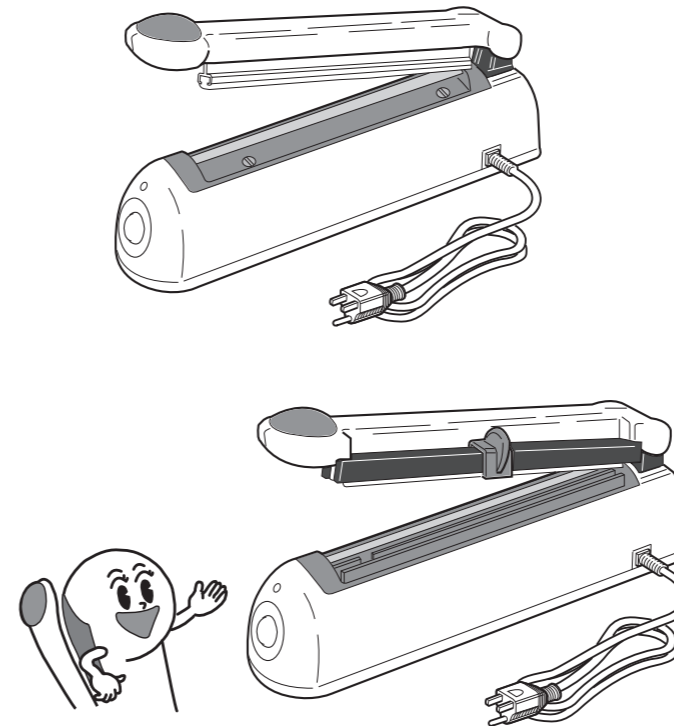


POLY SEALER

INSTRUCTION MANUAL

P-200
PC-200
P-300
PC-300

Thank you for purchasing the poly sealer. Please read this manual carefully before using the product.



The plug in the right illustration is for 110V machine. 220V sealer is installed with a different plug. In both cases, if the plug does not fit to the power outlet, please replace the plug.
※Some machines may use another plugs not indicated on this manual.

Parts Table P-200

No.	Code	Parts Name	Sales Unit
①~⑥	19110	P-200 lever set	1set
①・③	18887	P-200 lever R, L	1set
②	19120	P-200 lever knob	1
③	19180	B tight, pan-head screw 4X16	2/set
④	18200	P-200 center pin φ5X14	1
⑤	110400	P-200 pressure lever spring	2/set
⑥	110500	P-200 lever pivot bracket	1set
⑦	17500	P-200 silicone rubber 7x210	1
⑧~⑫	19100	P-200 lever pivot set	1set
⑧	19130	P-200 lever receiver	1
⑨	18100	P-200 switch lever	1
⑩	17900	P-200 fulcrum pin φ6X43	1
⑪	18883	P-200 return spring SUS	1
⑫	19170	B1 tapping screw 4X12	2/set
⑬・⑭	18885	P-200 frame set	1set
⑭	18886	Lamp cover (red)	# 1
⑰	18881	SUS pan-head screw 4X6	# 2/set
⑱~⑳	18300	P-200 base set	1set
⑲	110800	Rubber feet	# 4/set
⑳	19210	S tight pan-head screw 4X16	# 4/set
㉑	18800	P-200 fluoro glass sheet retainer	1set
㉒	18860	Fluoro glass sheet retainer locks	# 4/set
㉓	18820	P-200 electrode bracket	1set
㉔	-	Power cord	# 1
㉕	-	P-200 transformer	1
㉖	-	Timer Assy	# 1
㉗	18730	Timer dial	# 1
㉘・㉙	-	P-200 noise filter	1
㉚	110100	Rubber collar	1
㉛	110120	Transformer holder	2/set
㉜	110110	Cord hole plug	# 1
㉝	133427	Noise filter insulation sheet	# 1

Parts Table P-300

No.	Code	Parts Name	Sales Unit
①~⑥	130106	P-300 lever set	1set
①・③	130100	P-300 lever R, L	1set
②	130200	P-300 lever knob	1
③	-	S tight, pan-head screw 5X16	-
④	-	S tight, pan-head screw 4X25	-
⑤	130500	P-300 pressure lever spring	2/set
⑥	17040	P-300 lever pivot bracket	1set
⑦	17400	P-300 silicone rubber 9.5x310	1
⑧~⑫	130812	P-300 lever pivot set	1set
⑧	130800	P-300 lever receiver	1
⑨	130900B	P-300 switch lever	1
⑩	131000	P-300 fulcrum pin φ8X55	1
⑪	131100	P-300 return spring SUS	1
⑫	-	Flat-head screw 4X12	-
⑬・⑭	131314B	P-300 frame set	1set
⑭	18886	Lamp cover (red)	# 1
⑰	18881	SUS pan-head screw 4X6	# 2/set
⑱~⑳	131820	P-300 base set	1set
⑲	110800	Rubber feet	# 4/set
⑳	19210	S tight pan-head screw 4X16	# 4/set
㉑	132100	P-300 fluoro glass sheet retainer	1set
㉒	18860	Fluoro glass sheet retainer locks	# 4/set
㉓	132510	P-300 electrode bracket	1set
㉔	-	Power cord	# 1
㉕	-	P-300 transformer	1
㉖	-	Timer Assy	# 1
㉗	18730	Timer dial	# 1
㉘・㉙	-	P-300 noise filter	1
㉚	136010	Transformer holder	1
㉛	110110	Cord hole plug	# 1
㉜	134000	Lever bracket spacer φ4X12	1
㉝	133427	Noise filter insulation sheet	# 1

Parts Table PC-200

No.	Code	Parts Name	Sales Unit
②~⑦	19150	PC-200 lever set	1set
⑤①~⑤⑤	19140	PC-200 lever R, L	1set
⑤②	110600	PC-200 cutter guide	1
⑤③	110700	Cutter knob	1
⑤④	17800	Cutter blade	1
⑤⑤	18000	PC-200 sponge pad	1
⑤⑥	18840	PC-200 fluoro glass sheet retainer	1

Parts Table PC-300

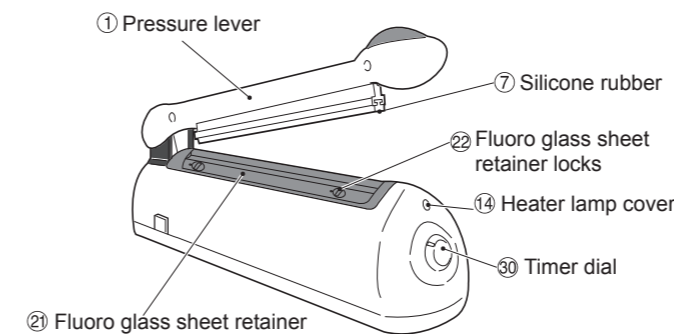
No.	Code	Parts Name	Sales Unit
②~⑦	135155	PC-300 lever set	1set
⑤①~⑤⑤	135100	PC-300 lever R, L	1set
⑤②	135200	PC-300 cutter guide	1
⑤③	110700	Cutter knob	1
⑤④	17800	Cutter blade	1
⑤⑤	48300	PC-300 sponge pad	2/set
⑤⑥	135600	PC-300 fluoro glass sheet retainer	1

Routine Maintenance Parts

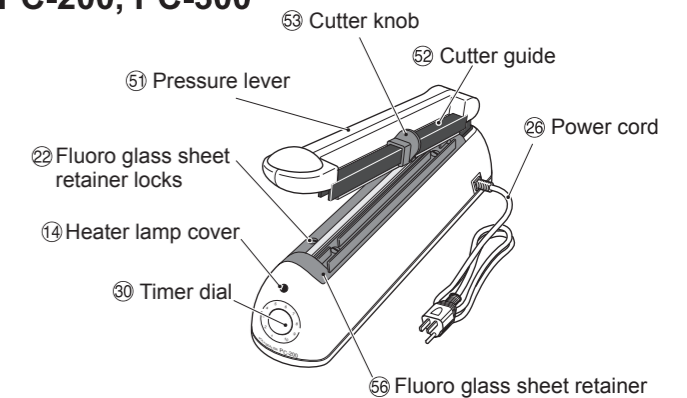
No.	Code	Parts Name	Sales Unit
⑮	15005	Sarcon sheet 6x220 for P/PC-200	2/set
	17005	Sarcon sheet 6x320 for P/PC-300	2/set
⑯	39411	Glass tape 13mmx5M	# 5m roll
	39412	Glass tape 13mmx10M	# 10m roll
⑳	15006B	PS-210/P-200 fluoro glass sheet	10/set
	17110B	P-300/PS-310 fluoro glass sheet	10/set
㉑	17700	Microswitch	# 1
㉒	59001	Heating element P-200-2	10/set
	59003	Heating element P-300-2	10/set
	59002	P-200 fusing heating element	10/set
㉓	59004	P-300 fusing heating element	10/set

GENERAL PARTS DESCRIPTION

P-200, P-300



PC-200, PC-300



SPECIFICATIONS

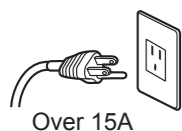
Model	P-200, PC-200	P-300, PC-300
Power source	AC 110V/ 220V 50/60Hz	AC 110V/ 220V 50/60Hz
Power consumption	250W	380W
Seal width	2mm	2mm
Seal length	200mm	300mm
Machine dimension	(W)72 X (L)310 X (H)180mm	(W)82 X (L)430 X (H)240mm
Machine weight	2.2kg	4kg

* The parts with # mark are common parts for all P series.

PROPER USE OF THE SEALER

For standard sealing with the 2-mm heating element, skip the above procedures and start here.

1



Over 15A

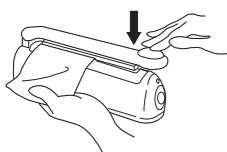
Insert the electric power plug fully into the wall outlet.

2



Set the heating time with the timer dial. Adjust the heating time depending on the type and thickness of the bag to be sealed.

3



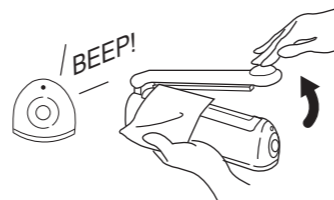
Place the edge of the bag on the sealing surface and lower the pressure lever.

4



When you lower the pressure lever the heat lamp comes on indicating that heating impulse has started. The lamp will go out when the impulse heating is completed. Do not release.

5



After the lamp is turned off, wait for 2-3 seconds until you hear the beep. Then release the pressure lever and remove the bag. Following this procedure will ensure longer parts life and quality seals.

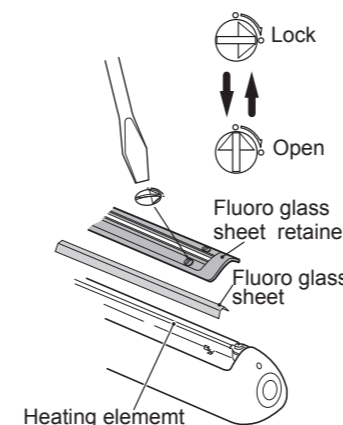
REPLACEMENT OF ROUTINE MAINTENANCE PARTS

Caution Make sure you unplug the sealer before replacing any parts.

Keep the pressure lever up when you replace parts. Be careful of cutter blade on PC-200, PC-300. It will be EXPOSED when the lever is up.

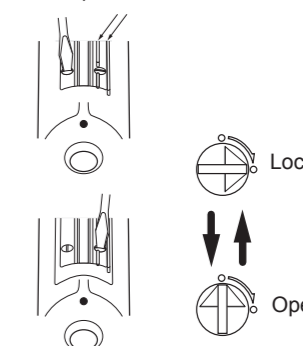


• FLUORO GLASS SHEET REPLACEMENT



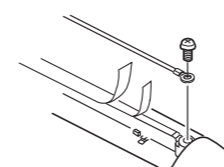
With a flathead screwdriver, turn the 4 points (P-300, PC-300 : 6 points) screw slots on the fluoro glass sheet retainer 1/4 counterclockwise. Remove the retainer and damaged fluoro glass sheet. Then place the new fluoro glass sheet to be centered over the heating element. Put the retainer over it and secure the 4 points (P-300, PC-300 : 6 points) screw slots 1/4 clockwise.

PC-200, PC-300

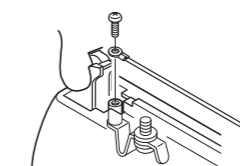


Caution When replacing the parts of PC-200/300, take a sufficient care to the edge of a cutter.

• HEATING ELEMENT REPLACEMENT

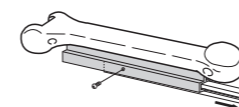


Remove the fluoro glass sheet (23), and then the screw (17) take out the heating element. The glass tape (16) and Sarcon sheet (15) are under the heating element and are routine maintenance parts. Replace them when necessary.



Hook one end of the new heating element to the electrode, and fasten the other end to the frame (13) with the screw (17).

• SILICONE RUBBER REPLACEMENT



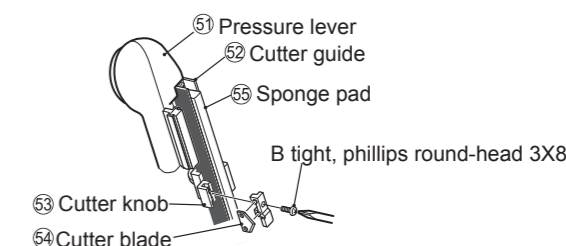
Loosen the screw fastening the silicone rubber (7) to the crimp plate and pull the rubber out.

Caution Be careful of the cutter blade while replacing other components.

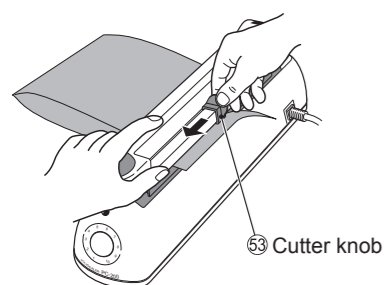
REPLACEMENT OF PC-200, PC-300

• CUTTER BLADE REPLACEMENT

Lift the pressure lever (51) and loosen the screw (B tight, phillips round-head 3X8). Replace the cutter blade (54) with a new one.



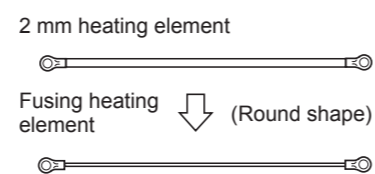
CUTTER OPERATION WITH PC-200 AND PC-300



The PC-200 and PC-300 come with a cutter. After the procedures from 1~3 (and during operation 4~5), slide the cutter knob forward and back to cut off the edge of the bag. The cutter knob should move toward the timer dial and then be returned to its start position before lifting the pressure lever.

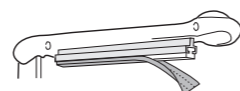
NICHROME WIRE CUTTING

(1)



For fusing heating element cutting and sealing, first remove the 2mm heating element attached to sealer and replace it with the nichrome wire.

(2)



With the fusing heating element, the temperature gets hotter than with the standard sealing operation. Add the glass tape (accessory) to the silicone rubber.

